



# AMERICAN

## FLOW CONTROL

**THE RIGHT WAY**

**AMERICAN Flow Control**  
P.O. Box 2727  
Birmingham, AL 35202-2727  
Telephone: 1-800-326-8051  
Fax: 1-800-610-3569  
E-mail: [afcsales@american-usa.com](mailto:afcsales@american-usa.com)

**Waterous Company**  
125 Hardman Avenue South  
South St. Paul, MN 55075-1191  
Telephone: 1-888-266-3686  
Fax: 1-800-601-2809  
E-mail: [afcsales@american-usa.com](mailto:afcsales@american-usa.com)

[WWW.AMERICAN-USA.COM](http://WWW.AMERICAN-USA.COM)

---

### AMERICAN Flow Control Product Submittal Package

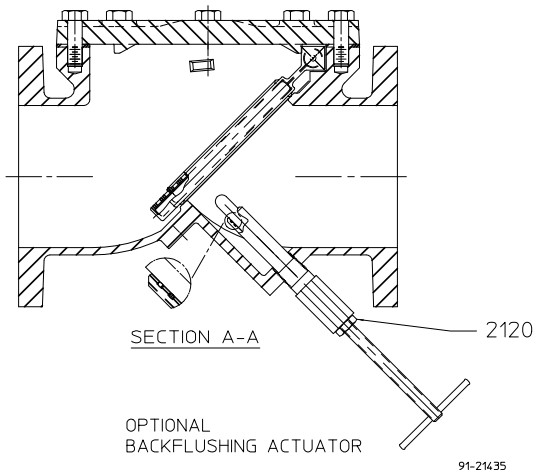
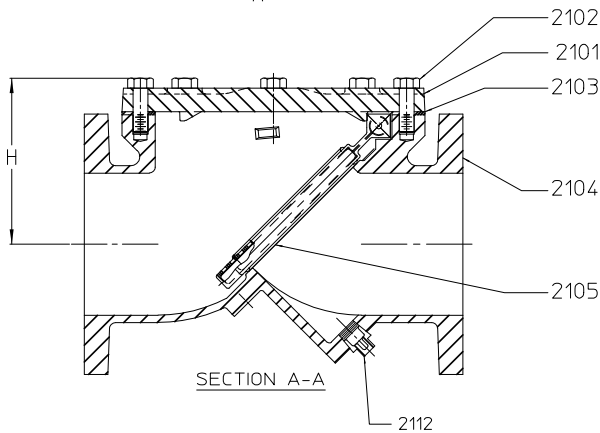
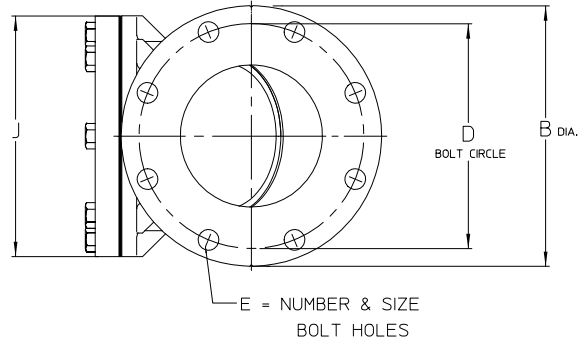
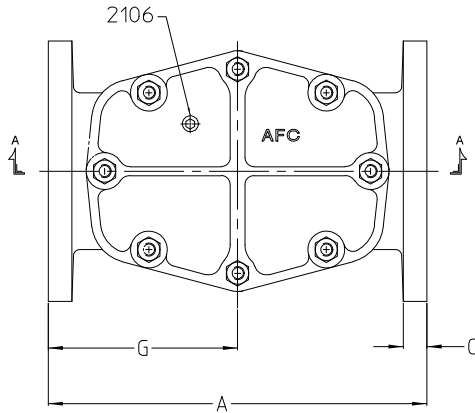
No cover information entered.

#### Products Submitted in this Package Include:

1. 3" - 12" Series 2100 Resilient Seated Check Valve (pg.1)

# AMERICAN Flow Control Submittal Information

## 3" - 12" SERIES 2100 RESILIENT SEATED CHECK VALVE



Ref. No.	Description	Material
2101	Bonnet	Ductile Iron ASTM A536 Grade 65-45-12
2102	Bonnet Bolts	304 Stainless Steel
2103	Bonnet Gasket	EPDM Rubber
2104	Flanged Ends Body	Ductile Iron ASTM A536 Grade 65-45-12
2105	Disc	See Note 6
2106	Pipe Plug, 3/8" NPT	Stainless Steel
2112	Pipe Plug, Square Head	Stainless Steel
2120	Backflushing Actuator	Assembly

### NOTES:

- Series 2100 Check Valves meet or exceed requirements of ANSI/AWWA C508.
- 250 psig rated working pressure, 500 psig test pressure.
- Bolt patterns of class 125 flanged ends are in accordance with ANSI/AWWA C110/A21.10 (ASME B16.1 class 125).
- Body and bonnet coated with fusion-bonded-epoxy coating in compliance with ANSI/AWWA C550.
- Valves have manufacturer's name, pressure class and year of manufacture cast on body or bonnet.
- Disc is ductile iron with stainless steel shaft and nylon reinforcement, all encapsulated with EPDM rubber.
- 3"-16" valves are Certified to NSF/ANSI 61 & 372.

Size	3	4	6	8	10	12
A	11.00	13.00	16.00	19.50	24.50	27.50
B	7.50	9.00	11.00	13.50	16.00	19.00
C	0.75	0.94	1.00	1.13	1.19	1.25
D	6.00	7.50	9.50	11.75	14.25	17.00
E	4 - 0.75	8 - 0.75	8 - 0.88	8 - 0.88	12 - 1.00	12 - 1.00
G	5.50	6.50	8.00	9.75	12.25	13.75
H	4.50	5.19	7.00	8.41	10.19	11.94
J	5.31	6.75	10.25	12.06	14.88	17.63
Weight	31 lbs.	53 lbs.	110 lbs.	165 lbs.	268 lbs.	390 lbs.



**AMERICAN**  
FLOW CONTROL

**THE RIGHT WAY**

AMERICAN Flow Control  
P.O. Box 2727  
Birmingham, Al. 35202-2727  
Phone: 800-326-8051  
Fax: 800-610-3569  
Email: afcsales@american-usa.com

Waterous Company  
125 Hardman Avenue South  
South St. Paul, Mn. 55075-1191  
Phone: 888-266-3686  
Fax: 800-601-2809  
Email: afcsales@american-usa.com

[WWW.AMERICAN-USA.COM](http://WWW.AMERICAN-USA.COM)